



Great LakesAir Products Inc.  
 5861 Commerce Drive  
 Westland, MI 48185  
 PH: 734-326-7080  
 FX 734-326-5910

## GMR Series Regenerative Air Dryers

Great Lakes Air had low maintenance and cost effectiveness in mind while developing the GMR Heatless Regenerative series. The compact and efficient GMR design, which includes wall mount capabilities, is very useful for commercial applications. The standard unit delivers a -40°F Pressure Dew Point and operates on standard 10 minute NEMA cycles. This unit is ideally suited for point of use instrumentation or laboratory applications.



- Compact & efficient design
- Molecular Sieve and activated alumina blend desiccant
- -40°F Pressure Dew Point
- Full 10 Minute NEMA Cycle
- 2 Year Warranty
- Designed for ease of maintenance
- 6 Ft power cord with plug included
- Wall Mount capable
- GMR-5 through 15 may be shipped via United Parcel Service
- OSHA approved mufflers

MODEL	CAPACITY*	VOLTAGE	PORT	PURGE RATE	RECOMMENDED	
					Prefilter	Afterfilter
GMR-5-116	5 SCFM	120/1/60	1/4"	0.75	GC-15-SA	GP-25
GMR-10-116	10 SCFM	120/1/60	1/4"	1.5	GC-15-SA	GP-25
GMR-15-116	15 SCFM	120/1/60	1/4"	2.25	GC-15-SA	GP-25
GMR-25-116	25 SCFM	120/1/60	1/2"	3.75	GC-25-SA	GP-40
GMR-35-116	35 SCFM	120/1/60	1/2"	5.25	GC-50-SA	GP-40

- \*Capacity is specified in SCFM @ 100 PSIG & 100°F
- Purge rate is in SCFM
- Dimensions are in inches and do not include the filters.
- -80°F Dewpoints available upon request

**MODEL: GMR-5-116**

Height: 13"

Ports: 1/4" NPT

**MODEL: GMR-10-116**

Height: 19"

Ports: 1/4" NPT

**MODEL: GMR-15-116**

Height: 24"

Ports: 1/4" NPT

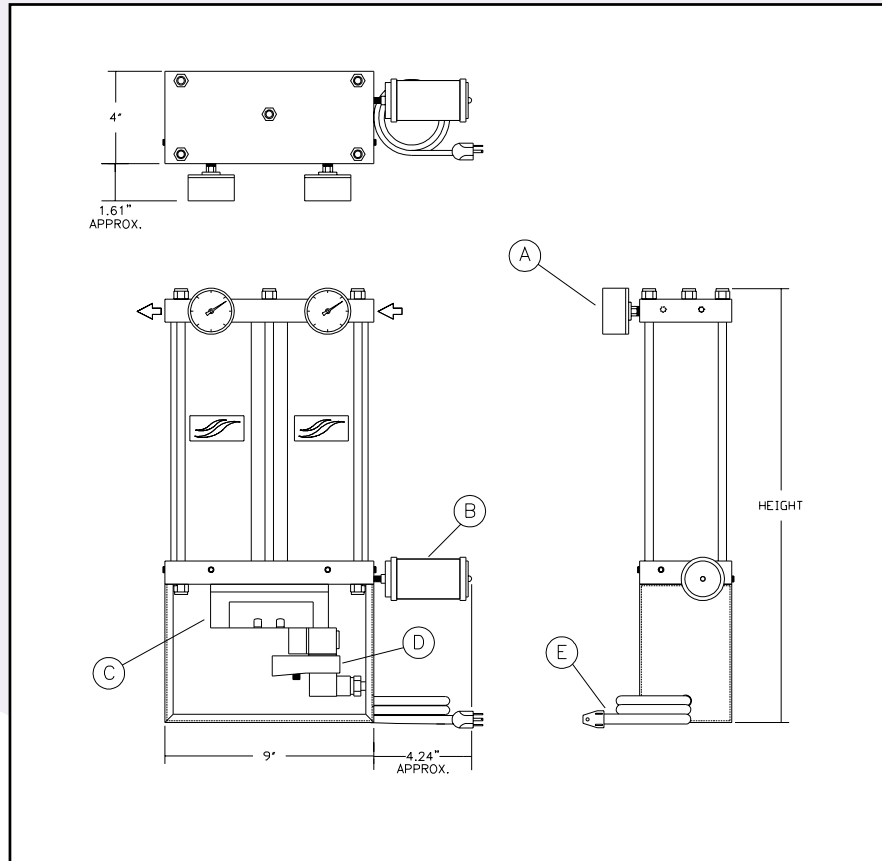
A. Optional Guage

B. Purge Muffler

C. Control Valve

D. System Timer

E. Power Cord



**MODEL: GMR-25-116**

Height: 28"

Ports: 1/2" NPT

**MODEL: GMR-35-116**

Height: 34"

Ports: 1/2" NPT

A. Standard Guage

B. Purge Mufflers

C. Power Cord

